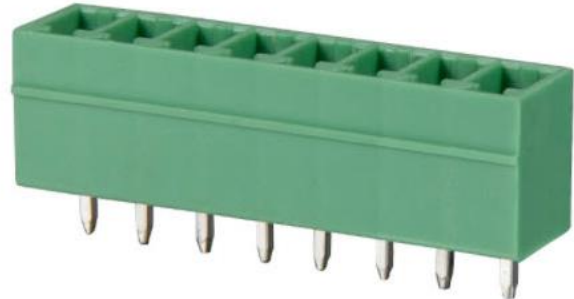


Terminal Block, Header

STB1001V-3.81-XX

Description

The STB1000VH-3.81-XX is a terminal block Vertical header with a 3.81 mm pitch. The connector is available from 2 up to 24 poles and optionally in Horizontal orientation.



Typical applications

- Wire to Board
- Board to Wire



Features

Mechanical Properties	Description
Connector Type	Terminal Block
Orientation	Vertical
Dimensions	$((\text{Poles} - 1) * 3.81 + 0,9) \times 7.2 \times 9,20 \text{ mm} \pm 0.2$
Operating Temperature Range	-40°C~+105°C
Max temperature soldering	+250°C, for 5 sec.
Pitch	3.81 mm
Poles	2-24 Poles
Insulator body	PA66, UL94V-0
Pin header	Brass, Tin plated

Terminal Block, Header

STB1001V-3.81-XX

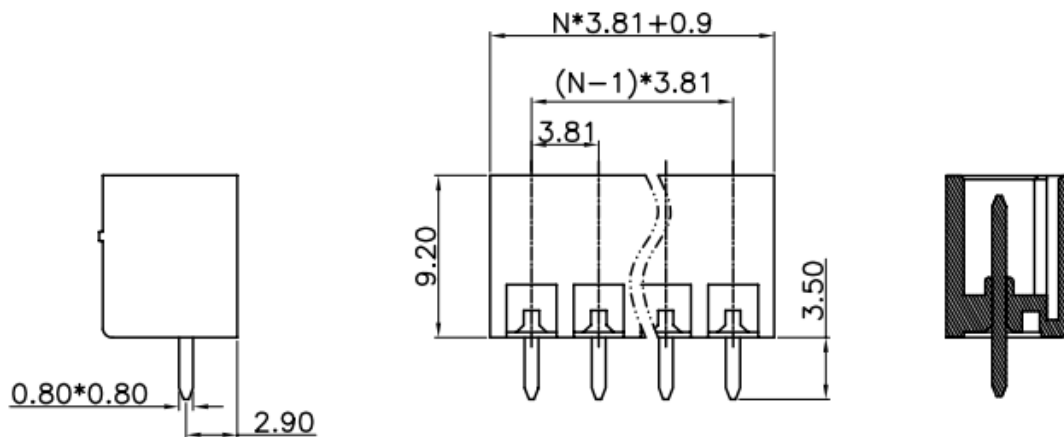
Electrical Properties

Description

Standard	UL	IEC
Rated Voltage	300V	250V
Rated Current	8A	7A
Contact Resistance	20mΩ (Max.)	
Insulation Resistance	500MΩ / 500V	
Withstanding Voltage	AC 1600V / 1Min.	

Dimensions

*unit: mm, N= number of poles

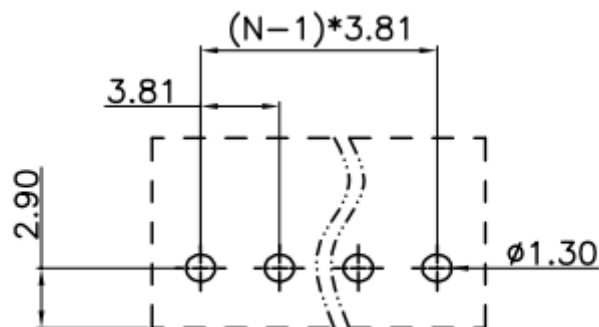


Terminal Block, Header

STB1001V-3.81-XX

PCB Footprint

*unit: mm , N = number of poles



Pole	2	3	4	5	6	7	8	9	10	11	12	13
Length	8,5	12,3	16,1	20	23,8	27,6	31,4	35,2	39	42,8	46,6	50,4
Pitch	3,8	7,6	11,4	15,2	19,1	22,9	26,7	30,5	34,3	38,1	41,9	45,7

Pole	14	15	16	17	18	19	20	21	22	23	24
Length	54,2	58,1	61,9	65,7	69,5	73,3	77,1	80,9	84,7	88,5	92,3
Pitch	49,5	53,3	57,2	61	64,8	68,6	72,4	76,2	80	83,8	87,6

Part number

STB1001X-XXX-XX

STB1001	Style of connector
X	orientation
XXX	Pitch
XX	Poles
	2,3,4,5,6,7,8, 9,10, 11,12, 13,14,15,16,17,18,19,20, 21,22,23,24

Ordering information

Ordering can be done via www.summit-electronics.com or via info@summit-electronics.com. Please contact us for more information. Customisation of the product is available on request.

Terminal Block, Header

STB1001V-3.81-XX



Technical support

For all product questions please contact us via info@summit-electronics.com

Document revision

Rev	Date	Changes
V01.00	06-04-2023	First issue of document